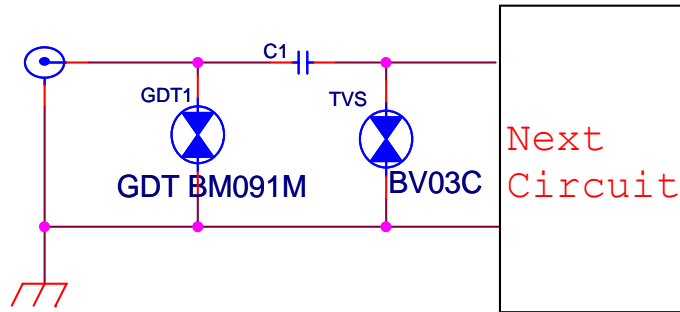
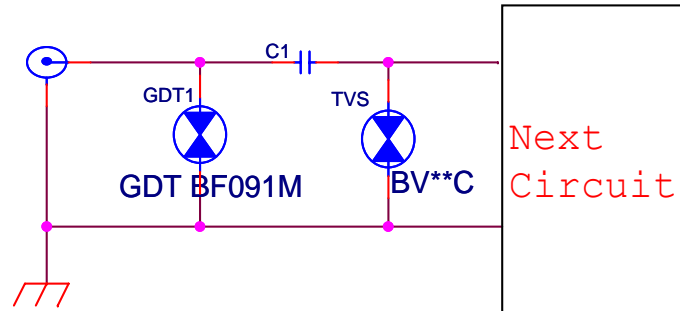


Application
Antenna



室外Standard:
ITU-T K.45
YD/T5098
YD/T1082
8/20uS 20KA
IEC61000-4-2
Contact 8KV
Air 15KV



室内Standard:
ITU-T K.45
YD/T5098
YD/T1082
8/20uS 5KA
IEC61000-4-2
Contact 8KV
Air 15KV



一站式电磁兼容 (EMC) 方案供应商

电话: 钟凯13632524150; 0755-26532285

邮箱: kai.zhong@compon-tech.com

Title		
室内外天馈EMC设计标准电路		
Size A	Document Number Compon20110322-29	Rev 1.0
Date:	Sunday, October 23, 2011	Sheet 1 of 1