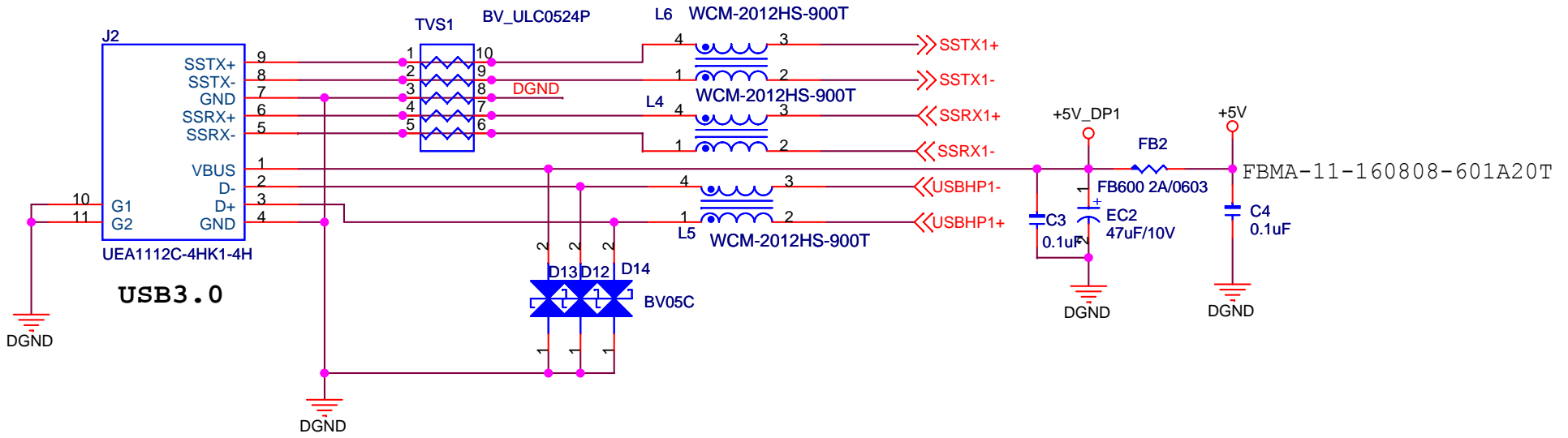
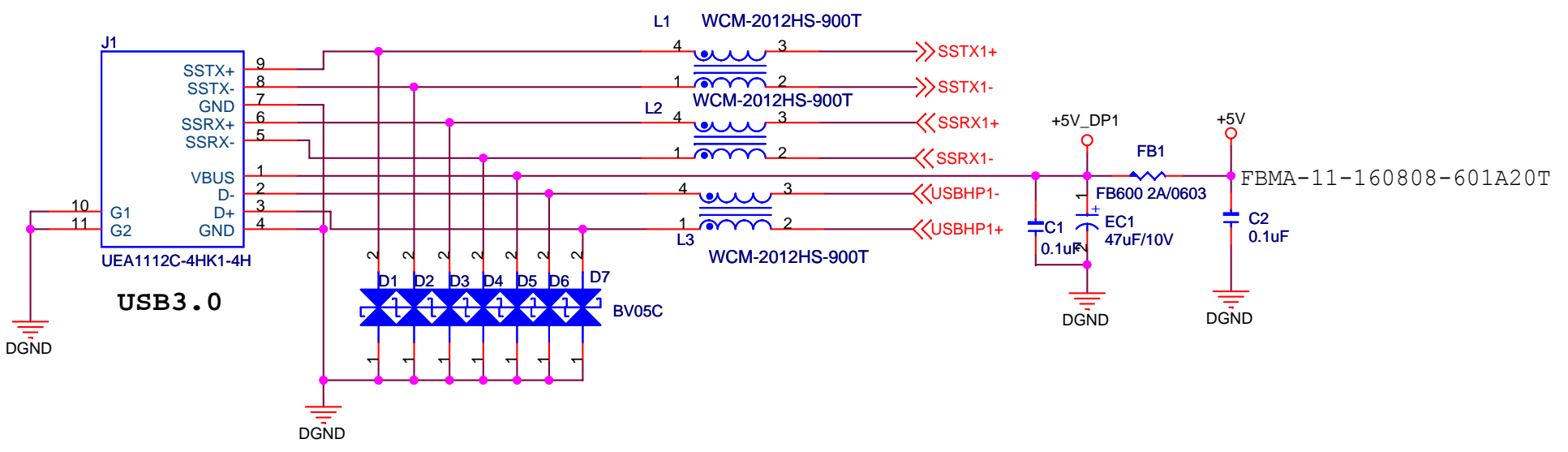


备注：
 common choke
 使用USB3.0专用WCM-2012HS-900T



一站式电磁兼容 (EMC) 方案供应商
 电话: 钟凯13632524150; 0755-26532285
 邮箱: kai.zhong@compon-tech.com

Title		
USB3.0接口EMC设计标准电路		
Size	Document Number	Rev
A	Compon201103-27	1.0
Date:	Wednesday, October 26, 2011	Sheet 1 of 1