

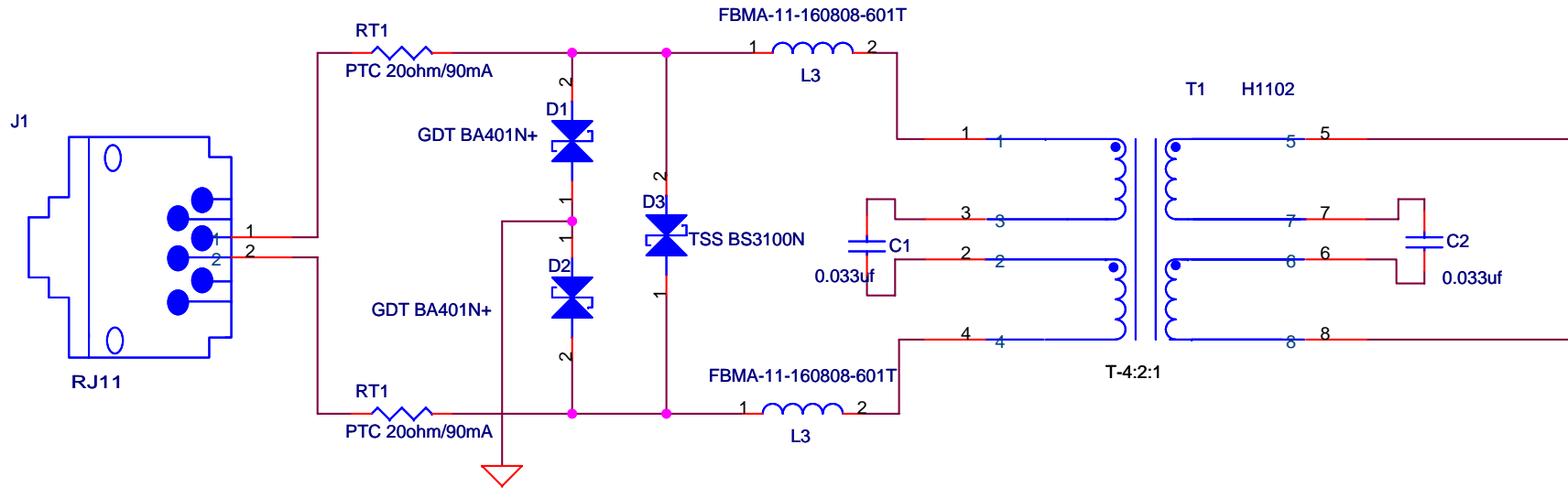
备注:防护能力

1. ITU-TK.20 (10/700us) 差模1.5KV (40ohm), 共模6kv (40ohm)

IEC61000-4-5 (1.2/50-8/20us)

差模2KV (2ohm), 共模4KV (12ohm)

2. 若设备为塑胶外壳, 则不需要接D1, D2进行共模防护



一站式电磁兼容 (EMC) 方案供应商

电话: 钟凯13632524150; 0755-26532285

邮箱: kai.zhong@compon-tech.com

Title RJ11接口EMC设计标准电路		
Size A	Document Number Compon20110322-15	Rev 1.0
Date: Wednesday, October 26, 2011	Sheet 1	of 1