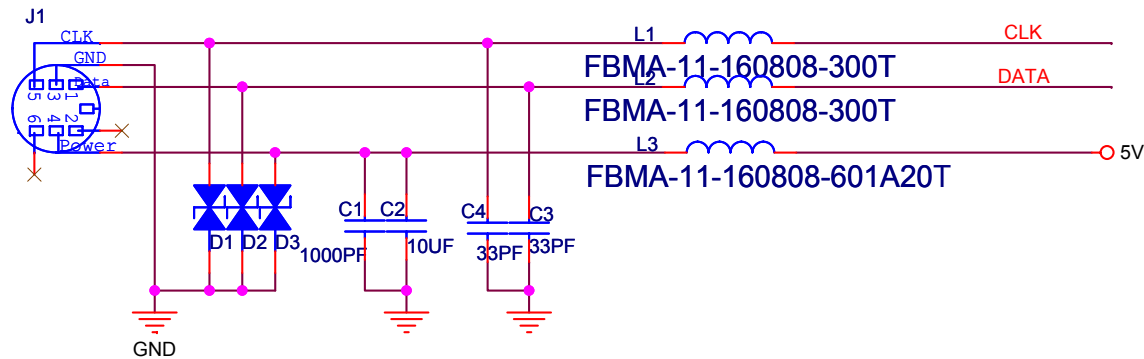


备注:

1. L1/L2, C3, C4根据测试结果调整



一站式电磁兼容 (EMC) 方案供应商
电话: 钟凯13632524150; 0755-26532285
邮箱: kai.zhong@compon-tech.com

Title		
PS2接口EMC设计标准电路		
Size A	Document Number	Rev 1.0
	Compon20110322-21	
Date:	Sunday, October 23, 2011	Sheet 1 of 1