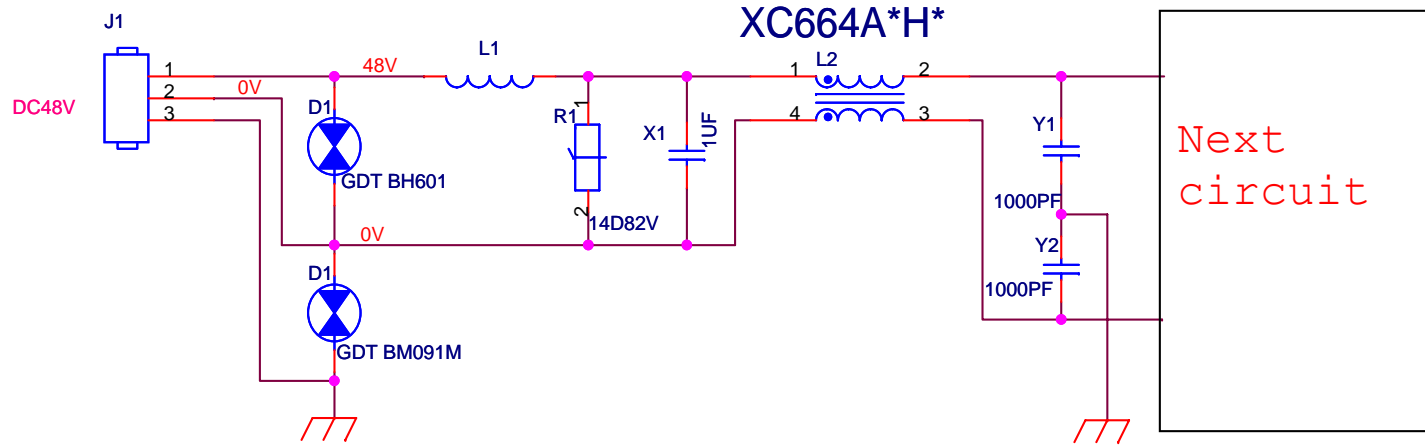


1. IEC61000-4-5  
(1.2/50-820uS) 差模6KV (2ohm) 共模6KV (12ohm)  
8/20uS冲击电流差模: 20KA, 共模20KA
2. BH601为直流防雷器件的无断续流放电管



一站式电磁兼容 (EMC) 方案供应商  
 电话: 钟凯13632524150; 0755-26532285  
 邮箱: kai.zhong@compon-tech.com

Title DC48V接口EMC设计标准电路		
Size A	Document Number Compon20110322-19	Rev 1.0
Date: Wednesday, October 26, 2011	Sheet 1	of 1