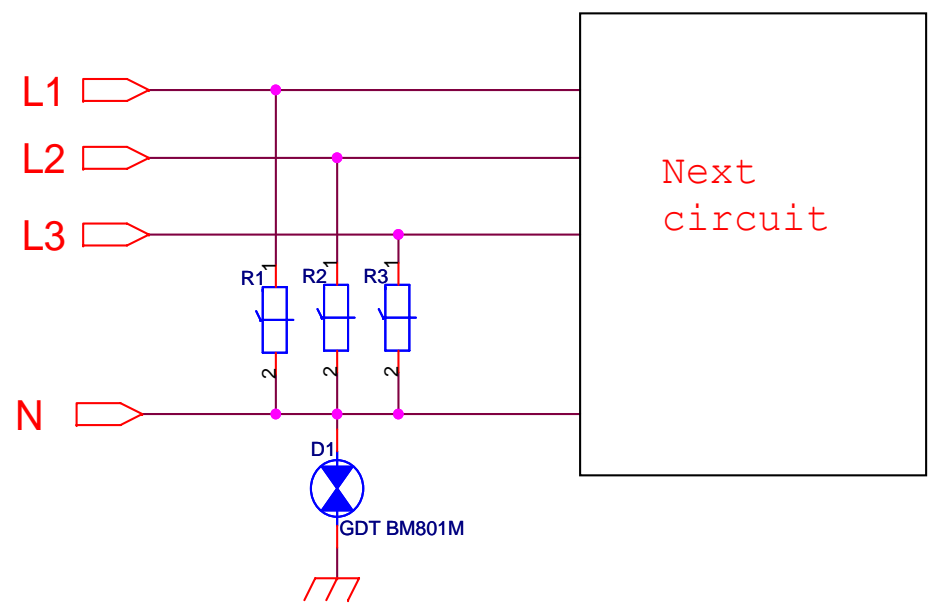


备注：
 8/20 uS
 10KA +/-5次
 20KA +/-1次



一站式电磁兼容 (EMC) 方案供应商

电话: 钟凯13632524150; 0755-26532285

邮箱: kai.zhong@compon-tech.com

Title		
285 AC380VEMC设计标准电路		
Size	Document Number	Rev
A	Compon20110322-25	1.0
Date:	Sunday, October 23, 2011	Sheet 1 of 1